

ARTISON®



INSTALLATION GUIDE

SoundBar

SB-1

Thank you for choosing the Artison SoundBar. We are pleased that you have selected our high-performance audio product.

INTRODUCTION

The following information will guide you through the installation of your Artison SoundBar.

The Artison SoundBar is designed to attach directly to any flat panel display 37 inch (diagonal) or larger, whether the flat panel uses a table top stand or is wall mounted. The SoundBar can be mounted either above or below the flat panel display and is made to blend aesthetically through the use of a custom made grille that matches the width and color of your flat panel television. SoundBar Grilles are available to match the width and complement the color of all flat panel displays from 37 inch (diagonal) and above.

Your SoundBar box should contain the following:

- 1 Each SoundBar
- 1 Each Main Bracket
- 1 Pair Television Mounting Brackets (TMB)
- 1 Pair Television Mounting Bracket Offset Fixtures
- 1 Hardware Kit
 - TMB Mounting Screws and Washers (Assorted sizes and lengths)
 - 3mm Allen Wrench
 - 3mm Allen Head Bracket to Bracket (B to B) Screws

If you are missing any of these parts or if you need assistance during the installation of your Artison SoundBar, please contact Artison's Customer Service Department during normal business hours, Pacific Time at (775) 833-4344.

MOUNTING THE TELEVISION MOUNTING BRACKET (TMB)

When the flat panel television is mounted to the wall, the Television Mounting Bracket (TMB) is designed to sandwich between the television's wall mounting bracket and the television's chassis. When the application calls for using a flat panel with a table top stand, the TMB can be attached directly to the back of the flat panel display using the same wall mounting points. The TMB can be attached such that the SoundBar is located either on top or bottom of the display.

1. Remove the flat panel display from its box or where it is mounted and lay it display-side down on a large, flat, soft surface.

NOTE: This step may require TWO PEOPLE.

2. Find the correct size and quantity of screws, washers and spacers from the supplied hardware selection located in the Hardware Box. If you are using mounting screws that are either M4, M5 or M6 please use the appropriate collar washer to ensure a secure fit for the screws in the TMB mounting slots. If you are using the M8 mounting screws the collar washers are not needed.
3. Position both TMBs vertically on the rear of the display so that the slots line up with the wall mounting points on the television's chassis. One bracket should be placed vertically across one set of mounting points and one bracket should be placed vertically across the other set of mounting points. Make sure to leave the ends with two threaded screw holes on the side of the television that you want to mount the speaker. **See Figure 1.**

NOTE: If your television is too tall for the TMBs to line up with both the upper and lower set of mounting holes. Line up the TMBs with the closer mounting points and use spacers on the other mounting points to keep the mounting brackets parallel to the chassis.

4. If applicable, place your wall mounting brackets that the television will be hung by on top of the TMBs.
5. Then loosely thread the mounting screws thru the bracket assemblies.
6. If the SoundBar is to be mounted below the television, then continue to step 6.1. If the SoundBar is to be mounted on top of the television please skip to Step 6.2.
 - 6.1 Place the TMB offset fixtures into the ends of the TMBs that have the two threaded screw holes that match the raised plastic areas on the fixtures. **See Figure 2.**
 - 6.2 Attach the Main Bracket which comes attached to the SoundBar and install the bracket on the TMBs like shown in **Figure 3**. Use the 4 x 3 mm Allen Head Bracket to Bracket Screws which are supplied in your Hardware Kit.

7. If the SoundBar is to be mounted below the television, then continue to step 7.1. If the SoundBar is to be mounted on top of the television, please skip to Step 7.2.
 - 7.1 Press the end of the TMBs that now have the offset fixtures towards the television bezel until the offsets touch or align to the television bezel edge. This will place the TMBs in the proper position for the installed grille to fit snugly against the bezel.
 - 7.2 Align the plane of the foam on the Main Bracket with the television bezel edge. This will place the TMBs and Main Bracket in the proper position for the installed grille to fit snugly against the bezel.
8. Tighten the screws on the rear of the television to hold all of the brackets in place on the chassis. You can now remove the plastic offset fixtures from the TMBs.
9. You may now hang your Flat Panel Display on the wall, or place it onto its table stand.

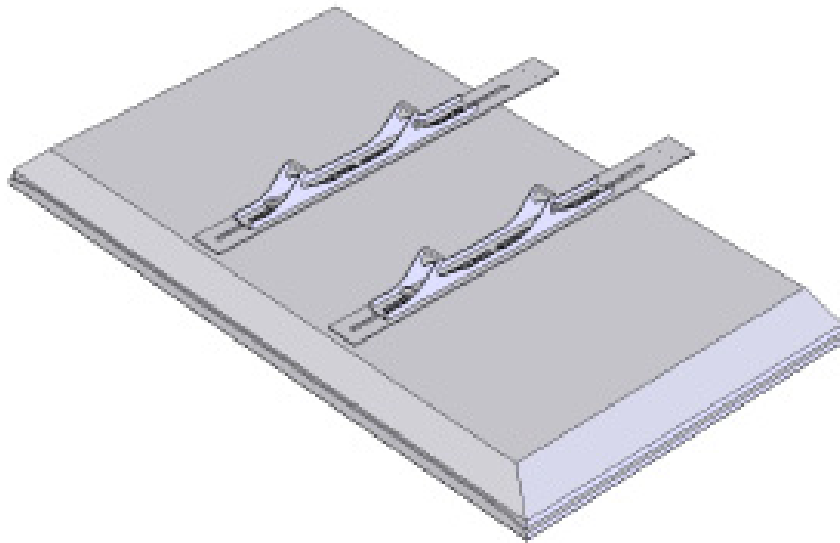


Figure 1

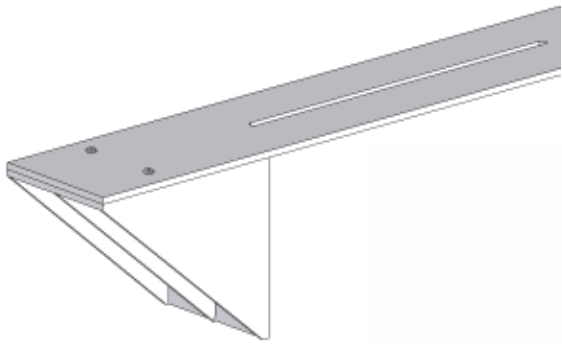


Figure 2

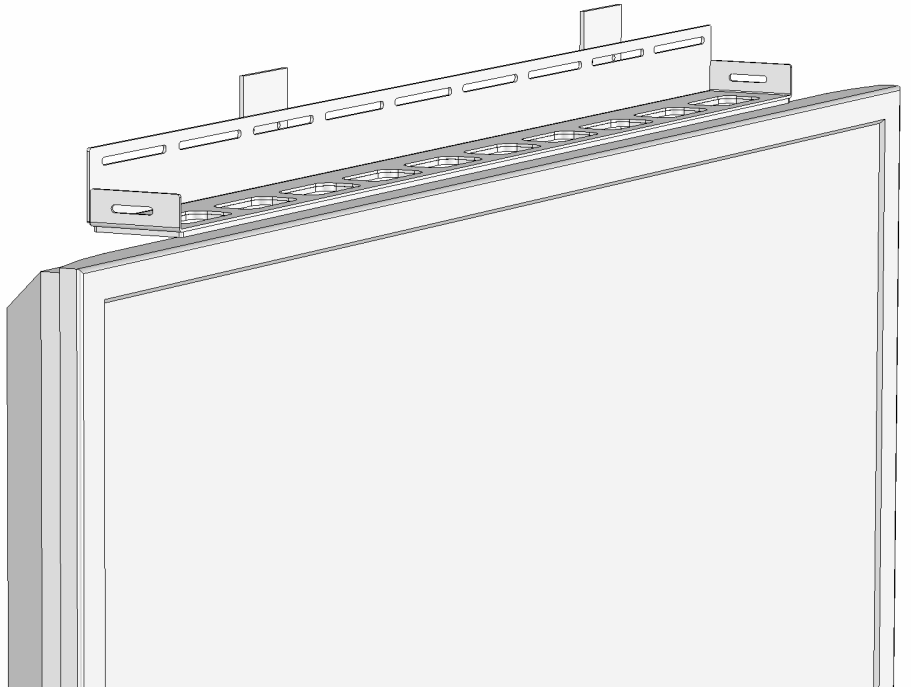


Figure 3

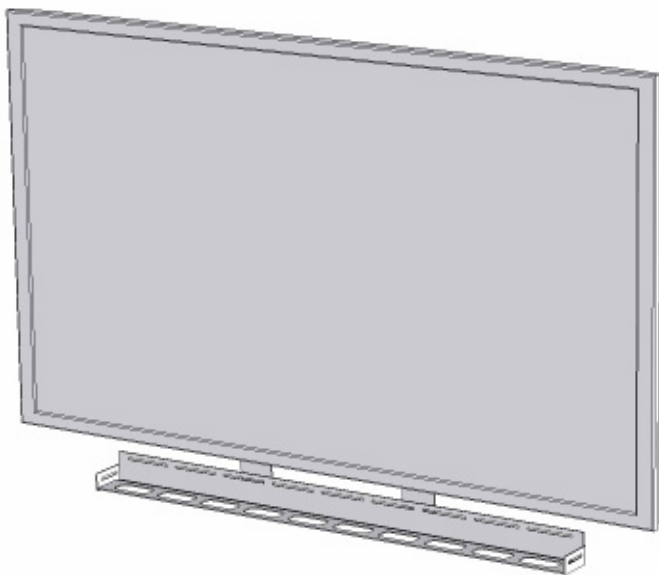


Figure 4

MOUNTING AND WIRING THE SOUNDBAR

1. The SoundBar comes with a Main Bracket which is attached to the speaker cabinet via a thumbscrew on either end. This Main Bracket will attach to the ends of the Television Mounting Brackets.

NOTE: The Main Bracket may also be used to directly wall mount the SoundBar, with the appropriate wall mounting hardware utilize the slots in the back of this part for this method. The Main Bracket also functions as a table-top stand for the speaker, simply with placement of the foam padded side down on the table.

2. Remove the Main Bracket from the SoundBar by loosening the thumbscrews in a counter-clockwise direction.
3. Carefully slip the Main Bracket off of the LCR.
4. Locate the horizontal center of the display.
5. Insert the 4 x 3 mm Allen Head Bracket to Bracket Screws (supplied in your Hardware Kit) to loosely hold the Main Bracket in place, do not tighten them yet. Center the Main Bracket on the television set. Then tighten the Bracket to Bracket Screws. **See Figure 4.**

NOTE: If installing the SoundBar on the top of a television, please refer to Figure 3.

6. Holding the SoundBar, attach the three speaker wire pairs to the binding posts on the rear of the SoundBar. The red terminal is the positive terminal and the black terminal is the negative terminal. The outer sets of binding posts are Left and Right respectively and the center set of binding posts is the Center Channel.

NOTE: The SoundBar is a 3 channel (Left, Center and Right) passive loudspeaker device and requires 3 discrete audio signals from an external multi-channel amplifier. The speaker wire gauge required is dependent upon wire length run, 16 gauge is suggested as the minimum size.

7. Carefully slide the SoundBar onto the Main Bracket that is now mounted to the display.
8. Use the knobs that you removed earlier to loosely re-attach the speaker. Slide the SoundBar back and forth until the front edge is approximately 1/4" behind the front surface of the display. Tighten the knobs to hold the speaker in place.
9. Finally snap the grille over the speaker cabinet and slide the grille side to side until it is flush with both edges of the flat panel's bezel.

LIMITED WARRANTY

This warranty remains in effect for five years from the date of purchase for speaker products and one year for electronic products.

THIS WARRANTY PROTECTS THE ORIGINAL OWNER PROVIDING THAT THE PRODUCT HAS BEEN PURCHASED FROM AN AUTHORIZED ARTISON DEALER IN THE UNITED STATES. THE ORIGINAL BILL OF SALE MUST BE PRESENTED WHENEVER WARRANTY SERVICE IS REQUIRED. FOR WARRANTY SERVICE OUTSIDE THE UNITED STATES, CONTACT THE AUTHORIZED ARTISON DISTRIBUTOR IN THE COUNTRY WHERE THE PRODUCT WAS PURCHASED.

Except as specified below, this warranty covers all defects in material and workmanship. The following are not covered: Damage caused by accident, misuse, abuse, product modification or neglect, damage occurring during shipment, damage from failure to follow instructions contained in the Owners Manual, damage resulting from the performance of repairs by someone not authorized by Artison, or any claims based on misrepresentations by the seller. This warranty does not cover incidental or consequential damages. It does not cover the cost of removing or reinstalling the unit. **THIS WARRANTY IS VOID IF THE SERIAL NUMBER HAS BEEN REMOVED OR DEFACED, OR IS PURCHASED FROM AN UNAUTHORIZED DEALER ON THE INTERNET (WORLD WIDE WEB), MAIL ORDER, 800, 888, 877 TELEPHONE NUMBERS OR THROUGH A CATALOG.**

This warranty gives you specific legal rights. You may also have other rights, which vary from state to state. Some states do not allow the exclusion or limitation of incidental or consequential damages or limitations on how long an implied warranty lasts, so the above may not apply to you.

Please make note of the following information and retain for your record.

Product Name _____ Model Number _____

Store Name _____ Purchase Price _____

HOW TO OBTAIN SERVICE

Please call us at (775) 833-4344, or write to: ARTISON (Attention: Customer Service Department), 774 Mays Blvd., Suite 10-183, Incline Village, NV 89451.

We will promptly advise you of what action to take. We may direct you to an authorized Artison Service Center or ask you to send your speaker to the factory for repair. You will need to present the original bill of sale to establish the date of purchase. **PLEASE DO NOT SHIP YOUR ARTISON PRODUCT TO THE FACTORY FOR REPAIR WITHOUT PRIOR AUTHORIZATION. PLEASE DO NOT RETURN PRODUCT TO THE ABOVE ADDRESS, IT IS NOT A SERVICE LOCATION.** You are responsible for transporting your product for repair and for payment of any initial shipping charges. However, we will pay the return shipping charges if the repairs are covered under warranty.